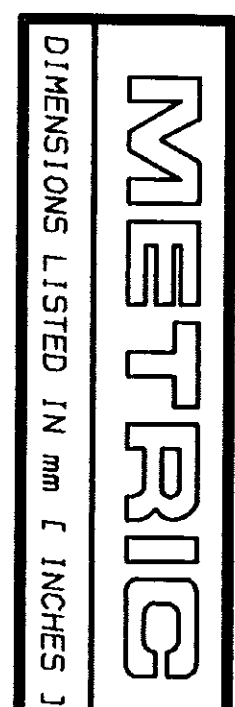
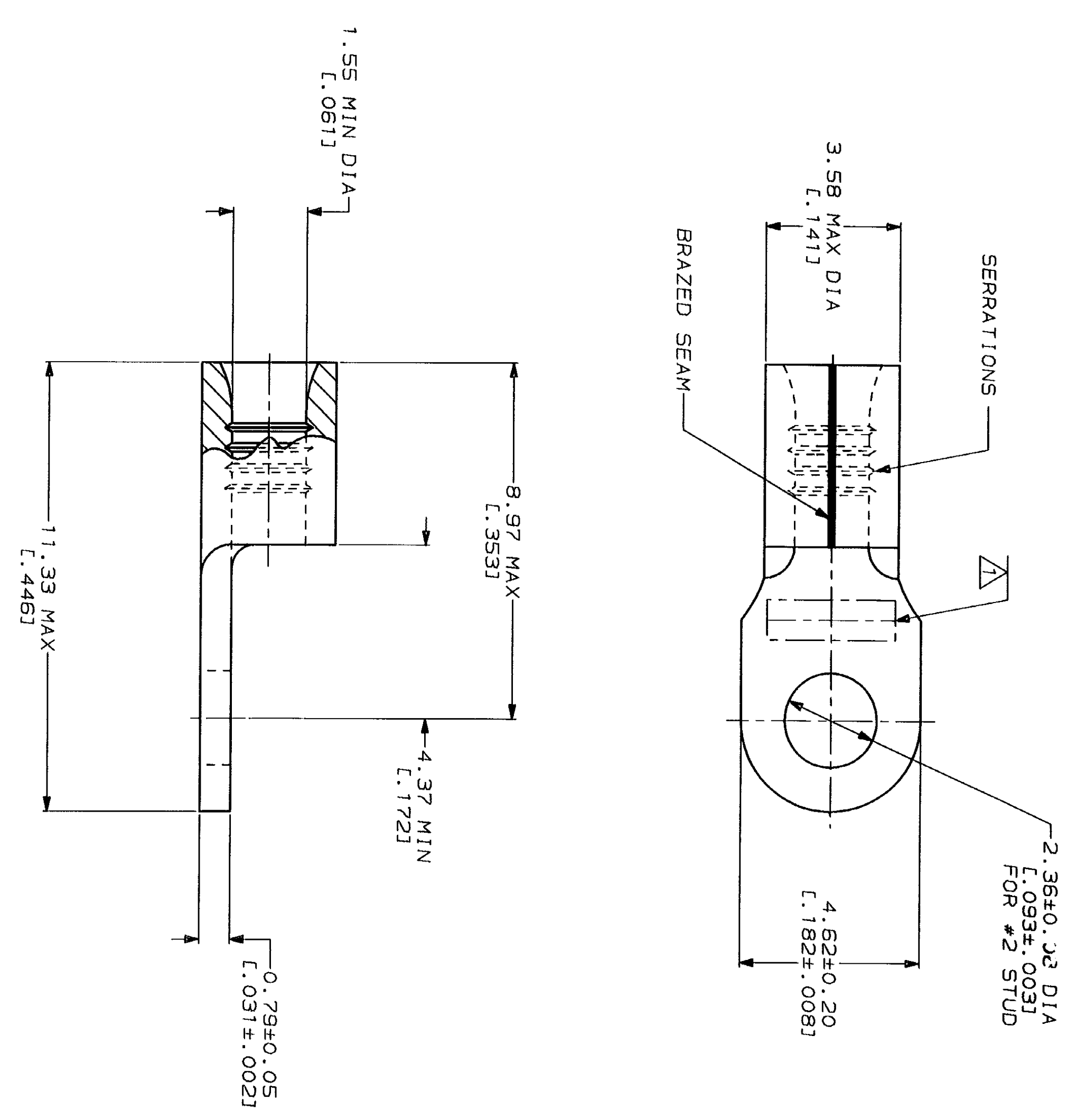


LOC	DIST	REV	DESCRIPTION	DATE	APPD
G	14	P	REV 8 REDRAWN PER 0720-0040-93	2-2-93	YB DAP



<b>AMP</b> WIRE RANGE	<b>IL</b> E13288 Listed
22-16 AWG SOLID OR STRANDED	22-16 AWG SOLID OR STRANDED
<b>LR7189</b> Certified	MILITARY P/N AND CLASS
22-16 AWG SOLID OR STRANDED	NOT APPLICABLE

△ STAMP AMP 22-18\* APPROX AS SHOWN  
 22-16 TERMINALS ARE STAMPED 22-18 IN  
 ACCORDANCE WITH MILITARY SPECIFICATION  
 MIL-T-7928, COMMERCIAL WIRE RANGE IS 22-16



**AMP INCORPORATED**  
**CUSTOMER SERVICE SYSTEMS**

FOR ADDITIONAL  
 PRODUCT INFORMATION OR  
 COPIES OF DRAWINGS  
 AND TECHNICAL DOCUMENTS  
 1-800-522-6752

FOR APPLICATION  
 TOOLING INFORMATION  
 1-800-722-1111

FOR ORDER ENTRY  
 1-800-526-5142

PRODUCT INFORMATION CENTER  
 1-800-522-6752

TOOLING ASSISTANCE CENTER  
 1-800-722-1111

MAX RECOMMENDED OPERATING  
 TEMPERATURE: 170°C MAX

VOLTAGE RATING:  
 NOT APPLICABLE

WIRE CROSS SECTIONAL AREA RANGE:  
 0.26-1.65mm<sup>2</sup> [509-3,260] CIR MILS  
 SOLID OR STRANDED

FINISH: TIN PLATE  
 0.00254 [L.000100] MIN  
 THK PER MIL-T-10727

DR 2-2-93 TA BRINKMAN	NAME	<b>AMP</b> AMP Incorporated Harrisburg, PA 17105-3608
CHK 2-2-93 DA PATTERSON	TERMINAL, RING TONGUE, SOLI STRAND™	
APPD 2-2-93 DE MILLER	SIZE	CAGE CODE
APPD 2-2-93 JL NECKLEY	SCALE 10:1	00779
PRODUCT SPEC	DRAWING NO	322927
APPLICATION SPEC	SHEET	1 OF 1